

HENRY PARK PRIMARY SCHOOL
2025 WEIGHTED ASSESSMENT 2
MATHEMATICS
PRIMARY 5

Name: _____

Parent's Signature

Class: Primary 5 _____

Duration of Paper: 40 min

Marks:

Section 1 Short Answer Questions	6
Section 2 Long Answer Questions	19
Total	25

The use of calculator is allowed.

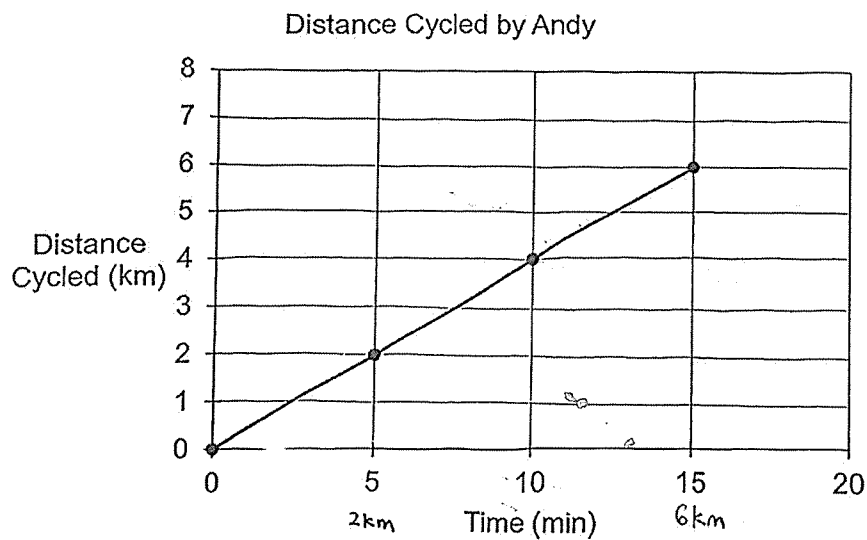
Section 1

Questions 1 to 3 carry 2 marks each. Show your working clearly and write your answers in the spaces provided. For questions which require units, give your answers in the units stated. (6 marks)

- 1 A baker can bake 75 similar cakes in 30 days. At this rate, how many cakes can the baker bake in 6 days?

Ans: _____

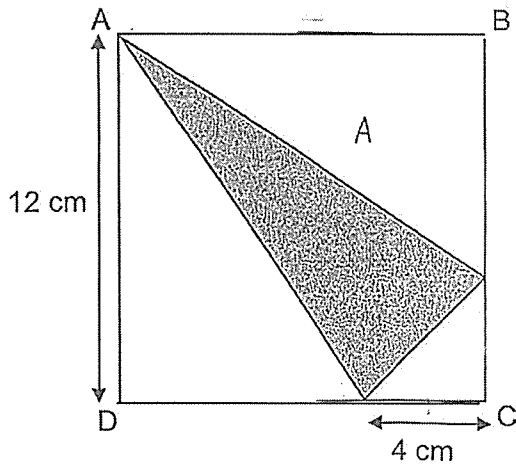
- 2 Andy cycles at the same rate throughout from home to work. The graph shows the distance Andy cycles for the first 15 minutes.



The distance between Andy's home and his workplace is 9 km. How many minutes does Andy take to cycle to work?

Ans: _____ min

- 3 ABCD is a square. Find the area of the shaded part.



Ans: _____ cm²

Section 2

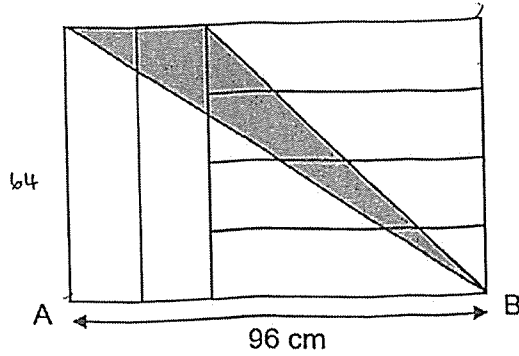
For questions 4 to 9, show your working clearly and write your answers in the spaces provided. The number of marks available is shown in the brackets [] at the end of each question or part-question. (24 marks)

- 4 Sam wants to fit some 3-cm cubes into a 30 cm by 25 cm by 11 cm tank.
What is the maximum number of such cubes Sam can fit into the tank?

Ans: _____ 240 [3]

- 5 The figure is made up of 6 identical small rectangles. The length of AB is 96 cm.

(a) Find the length of each rectangle.



Ans: (a) _____ cm [2]

(b) Find the area of the shaded triangle.

Ans: (b) _____ cm² [2]

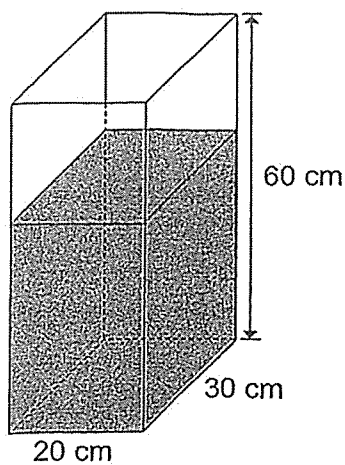
- 6 The table below shows the rates for renting roller blades.

1st hour	\$10.00
Every subsequent $\frac{1}{2}$ hour or part thereof	\$6.50

Tim rented a pair of roller blades for $3\frac{3}{4}$ hours. How much did he pay in total?

Ans: \$ _____ [3]

- 7 A rectangular container measuring 30 cm by 20 cm by 60 cm is filled with water up to $\frac{2}{3}$ of its height. Water flows into the container at a rate of 0.6ℓ per minute. How much water is there in the container after 15 minutes? Give your answer in litres.



Ans: _____ ℓ [4]

- 8 Imaan had a sum of money. He spent $\frac{3}{7}$ of it on a watch and $\frac{1}{5}$ of the remaining money on shoes. He then gave \$175 to his sister and had \$305 left.

(a) How much did imaan spend on the shoes?

Ans: (a) \$ _____ [2]

(b) How much money did Imaan have at first?

Ans: (b) \$ _____ [3]

End of Paper
Page 5

SCHOOL : HENRY PARK PRIMARY SCHOOL
LEVEL : PRIMARY 5
SUBJECT : MATHEMATICS
TERM : 2025 WEIGHTED ASSESSMENT 2

1)	$30 \div 5 = 6$ $75 \div 5 = 16$
2)	$9 \text{ km} - 6 \text{ km} = 3 \text{ km}$ $5 \text{ min} = 2 \text{ km}$ $3 \text{ km} = 5 \text{ min} + 1 \text{ km}$ $1 \text{ km} = 5 \text{ min} \div 2 \text{ km}$ $5 \text{ min} + 2.5 \text{ min} = 7.5 \text{ min}$ $7.5 + 15 = 22.5 \text{ min}$
3)	$12 \times 12 = 144$ $\frac{1}{2} \times 8 \times 12 = 48$ $\frac{1}{2} \times 4 \times 4 = 8$ $144 - 48 \times 2 - 8 = 40 \text{ cm}^2$
4)	$30 \div 3 = 10$ $25 \div 3 = 8 \text{ R}1$ $11 \div 3 = 3 \text{ R}2$ $10 \times 8 \times 3 = 240$
5a)	$96 \div 6 = 16$ $16 \times 4 = 64 \text{ cm}$
5b)	$\frac{1}{2} \times 16 \times 4 = 64$ $16 \times 2 = 32$ $\frac{1}{2} \times 64 \times 32 = 1024 \text{ cm}^2$
6)	$10 + 6.50 \times 6 = \$49$
7)	$30 \times 20 \times 60 = 36000$ $36000 \div 3 = 12000$ $0.6 \times 15 = 9$ $24 + 9 = 33$

8) a) $20u - 4u = 16u$
 $16u = 305 + 175 = 480$
 $U = 480 \div 16 = 30$
 $30 \times 4 = \$120$
b) $3p = 3 \times 5 = 15u$
 $20u + 15u = 35u$
 $U = 30$
 $30 \times 35 = \$1050$